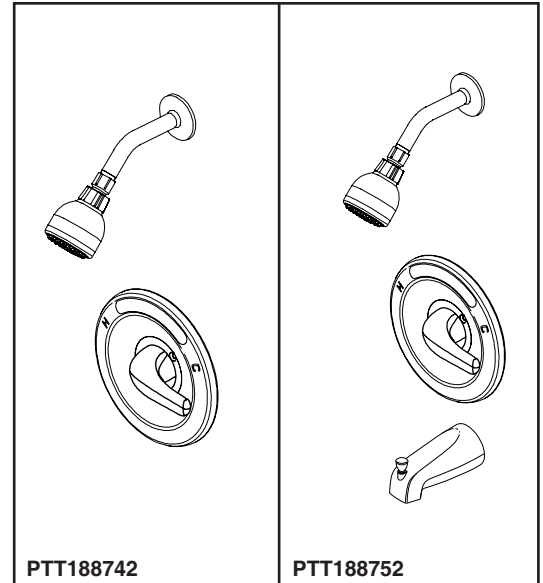
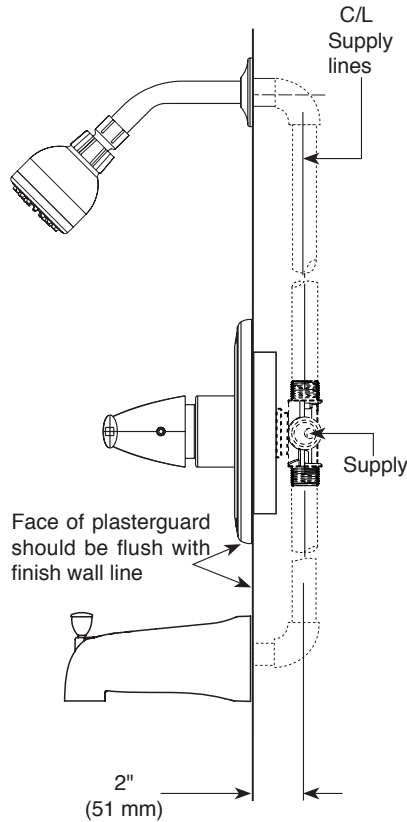
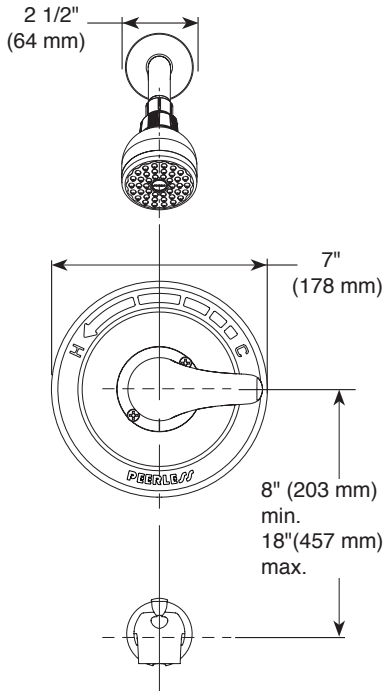


PEERLESS®

PTT188742
PTT188752



TUB AND SHOWER FAUCET TRIM

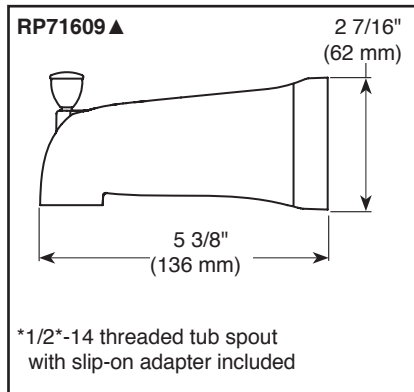
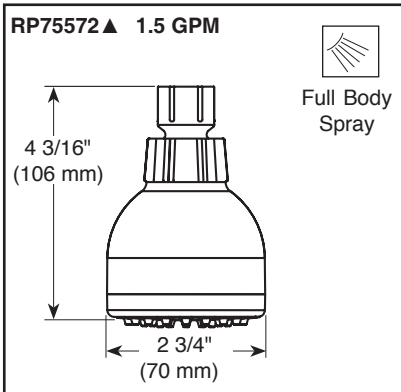
- Shower Only (PTT188742 Series)
- Tub/Shower (PTT188752 Series)

STANDARD SPECIFICATIONS:

- Slip-on tub spout, model PTT188752.
- Pressure balanced bath mixing valve.
- Tub/Shower. Requires 1 1/2" wall cavity.
- Back-to-back installation capability.
- Temperature control to rotate a maximum of 120° from full cold to the maximum temperature.
- Temperature only controlled with handle.
- Showerhead maximum flow rate is 1.5 gpm @ 80 psi, 5.7 L/min @ 550 kPa.
- For use with PTR188700 Series rough valve body; not included.

WARRANTY:

- Parts and Finish - Lifetime limited warranty; or for commercial purchasers, 10 years for multi-family residential (apartments and condominiums) and 5 years for all other commercial uses, in each case from the date of purchase.



COMPLIES WITH

- ASME A12.18.1 / CSA B125.1
- EPA WaterSense®



Indicates compliance to
ICC/ANSI A117.1 - Valve control only